

## RS Style Structural & Design Features:

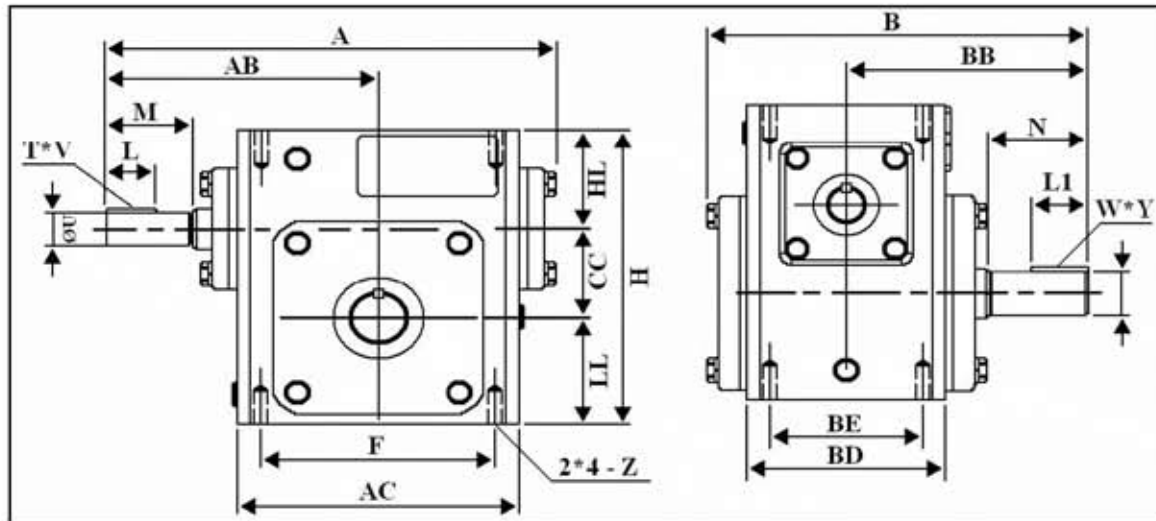
- Bronze Worm Gear
- Hardened and Ground Worm
- Cast Iron Housing, Precision Machined for Accurate Shaft Alignment
- Ball Bearings on Input Shaft
- Tapered Roller Bearings on Output Shaft
- Heat Treated Input and Output Shafts
- Mounting bases available upon request



## Output Options:

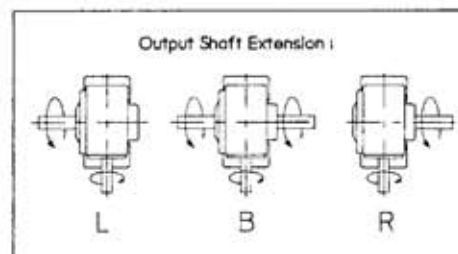
- Available with 2 Shaft Extensions - Left and Right

## Dimensions and Ratings



Size	A	AB	AC	B	BB	BD	BE	CC	F	H	HL	LL	M	N
175	8.06	4.872	5.059	6.831	4.311	3.563	2.75	1.75	4.188	5.75	1.938	2.062	1.555	1.781

Size	Z	Input Shaft			Output Shaft			OIL (Oz.)
		L	U	T x V	L1	S	W x Y	
175	5/16-18 UNC	0.875	0.625	3/16 x 3/32	1	0.875	3/16 x 3/32	11.64



To order indicate Model, Output Shaft Extension and Ratio, as shown below

T175M-RS-L-40  
 ———— Model  
 ———— Output Shaft Extension (L, B, or R)  
 ———— Ratio

