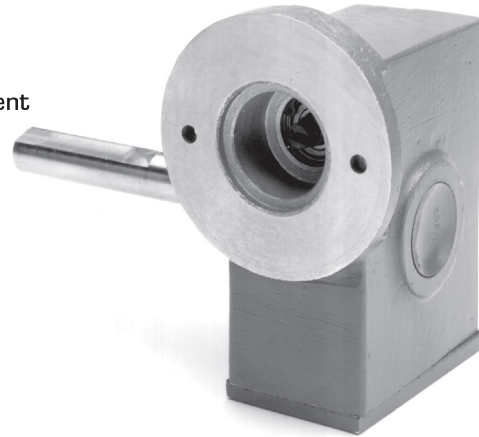


# RIGHT ANGLE REDUCERS/DC Motor Frame **CE34**

## CE Style Structural & Design Features:

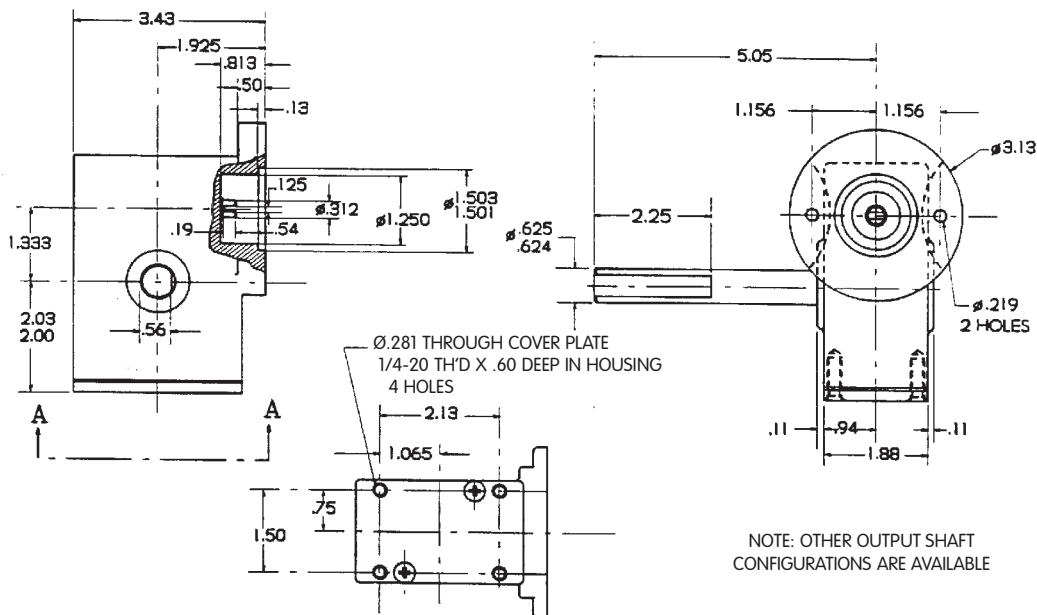
- Right Angle Worm-Gear Reducer
- Bronze Worm-Gear
- Induction Hardened, Ground and Polished Worm
- Aluminum Housing, Precision Machined for Accurate Shaft Alignment
- Ball Bearings on Input Shaft Front and Back
- Ball Bearings on Output Shaft
- High-Strength, Heat Treated Input and Output Shafts
- Flange for Face-Mounting DC Frame Motor



## Output Options:

- Available with 3 Shaft Extensions - L, B, R

## Dimensions and Ratings

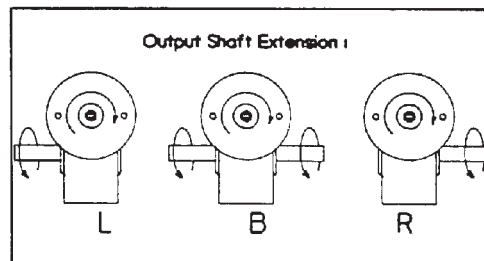


NOTE: OTHER OUTPUT SHAFT CONFIGURATIONS ARE AVAILABLE

RATIO	8	14.5	20	40	60
OUTPUT SPEED, RPM	375	206.9	150	75	50
HP IN	0.96	0.67	0.44	0.25	0.14
HP OUT	0.89	0.58	0.37	0.18	0.09
TORQUE OUT, IN.-LBS.	149	177	153	153	114
OVERHUNG LOAD, OUTPUT AT 2 IN. FROM HOUSING, LBS.	36	53	64	92	110

All data is for a Service Factor of 1 at 3000 RPM input speed

To order indicate Model, Output Shaft Extension and Ratio, as shown below



CE34-B-40  
 Ratio  
 Output Shaft Extension (L, B, or R)  
 Model



**Toledo Gearmotor**

419/885-3769 • Fax 419/885-3799 • [www.toledogear.com](http://www.toledogear.com)