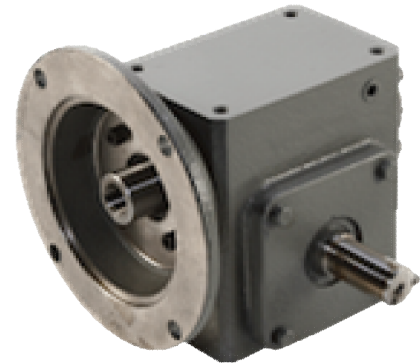


RIGHT ANGLE GEAR REDUCERS

T133M-HS

HS Style Structural & Design Features:

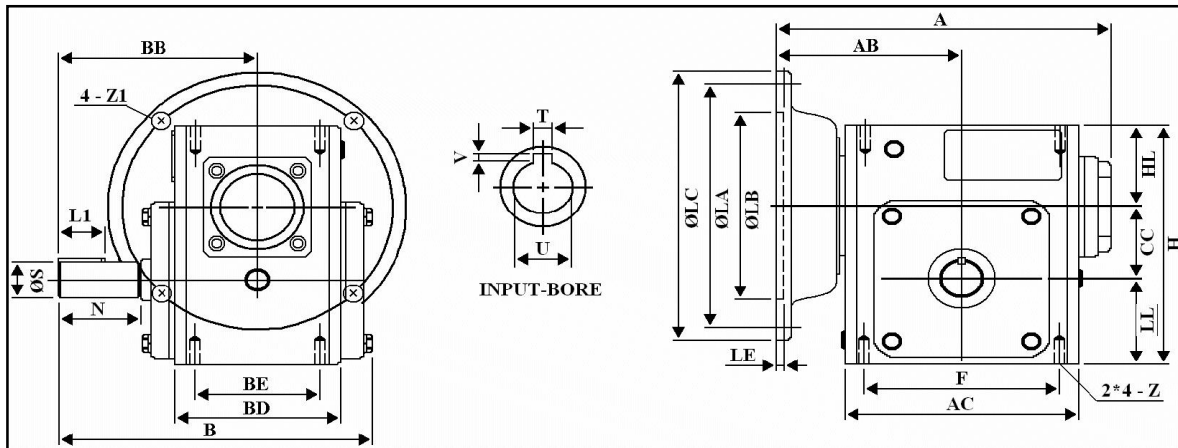
- Bronze Worm Gear
- Hardened and Ground Worm
- Cast Iron Housing, Precision Machined for Accurate Shaft Alignment
- Ball Bearings on Input Shaft
- Tapered Roller Bearings on Output Shaft
- Heat Treated Input and Output Shafts
- Mounting bases available upon request



Output Options:

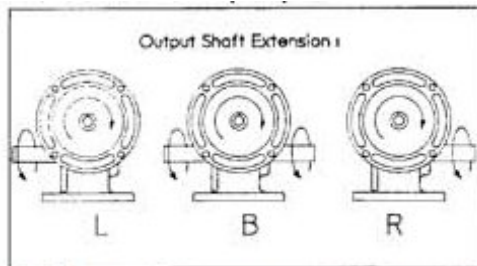
- Available with 3 Shaft Extensions - L, B, R

Dimensions and Ratings



Size	A	AB	AC	B	BB	BD	BE	CC	F	H	HL	LL	N	Z
133	5.99	3.386	3.78	6.07	4	2.84	2	1.33	3.25	4.66	1.61	1.72	2	5/16-18 UNC

Size	Input Bore		Output Shaft			Flange					NEMA Frame	OIL (oz.)
	U	T x V	L1	S	W x Y	LA	LB	LC	LE	Z1		
133	0.63	3/16 x 3/32	1	0.625	3/16 x 3/32	5.88	4.5	6.5	0.16	0.43	56C	5.82



To order indicate Model, Output Shaft Extension and Ratio, as shown below

T133M-HS **-L** **-40**

Model Output Shaft Extension (L,B,or R) Ratio



Toledo Gearmotor

419/885-3769 • Fax 419/885-3799 • www.toledogear.com