

RS Style Structural & Design Features:

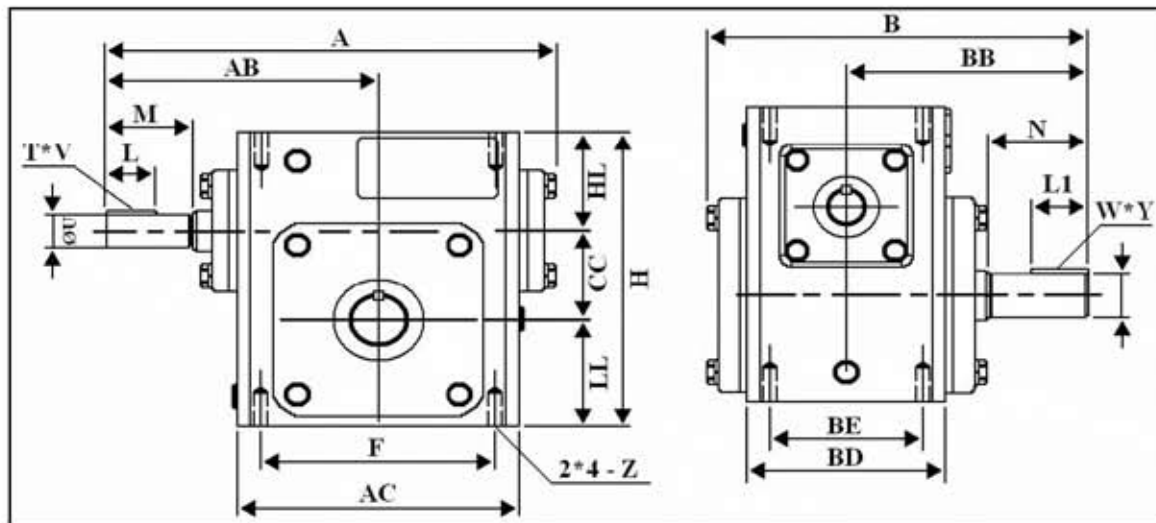
- Bronze Worm Gear
- Hardened and Ground Worm
- Cast Iron Housing, Precision Machined for Accurate Shaft Alignment
- Ball Bearings on Input Shaft
- Tapered Roller Bearings on Output Shaft
- Heat Treated Input and Output Shafts
- Mounting bases available upon request



Output Options:

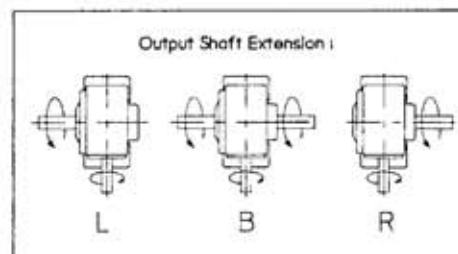
- Available with 2 Shaft Extensions - Left and Right

Dimensions and Ratings



Size	A	AB	AC	B	BB	BD	BE	CC	F	H	HL	LL	M	N
133	6.45	3.907	3.78	6.067	4	2.835	2	1.333	3.25	4.656	1.605	1.718	1.309	2

Size	Z	Input Shaft			Output Shaft			OIL (Oz.)
		L	U	T x V	L1	S	W x Y	
133	5/16-18 UNC	0.625	0.5	1/8 x 1/16	1	0.625	3/16 x 3/32	5.82



To order indicate Model, Output Shaft Extension and Ratio, as shown below

