

RS Style Structural & Design Features:

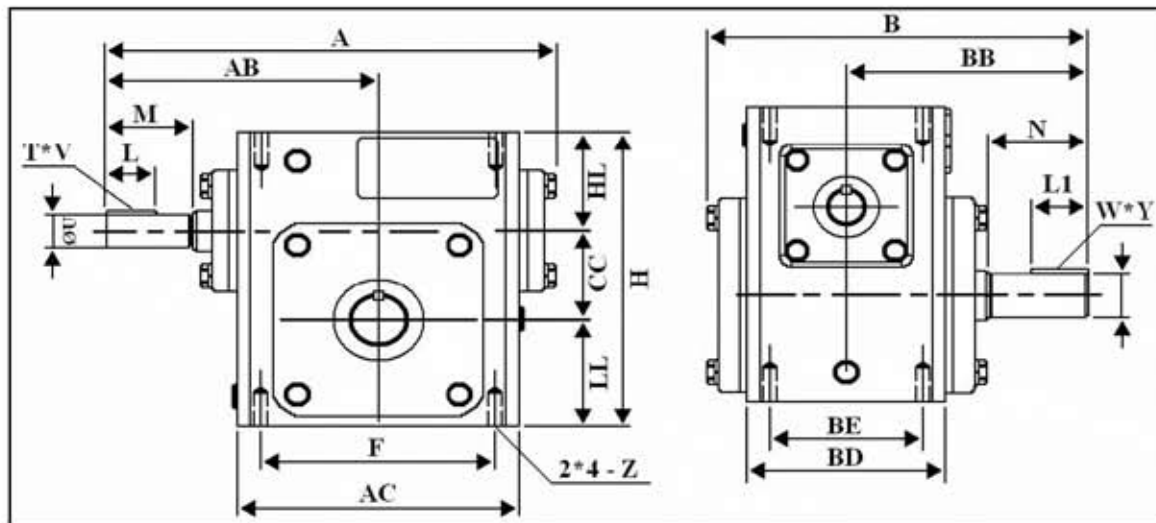
- Bronze Worm Gear
- Hardened and Ground Worm
- Cast Iron Housing, Precision Machined for Accurate Shaft Alignment
- Ball Bearings on Input Shaft
- Tapered Roller Bearings on Output Shaft
- Heat Treated Input and Output Shafts
- Mounting bases available upon request



Output Options:

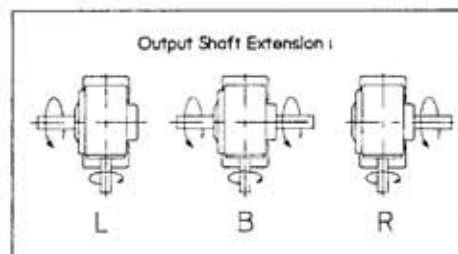
- Available with 2 Shaft Extensions - Left and Right

Dimensions and Ratings



Size	A	AB	AC	B	BB	BD	BE	CC	F	H	HL	LL	M	N
262	10.61	6.309	7.165	8.872	5.63	4.685	3.375	2.625	6.375	8	2.437	2.938	2	2.626

Size	Z	Input Shaft			Output Shaft			OIL (Oz.)
		L	U	T x V	L1	S	W x Y	
262	3/8-16 UNC	1	0.75	3/16 x 3/32	2	1.125	1/4 x 1/8	34.55



To order indicate Model, Output Shaft Extension and Ratio, as shown below

