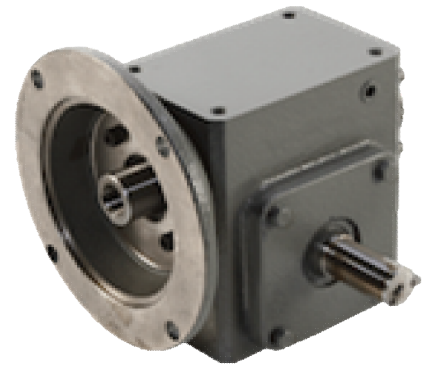


RIGHT ANGLE GEAR REDUCERS

T325M-HS

HS Style Structural & Design Features:

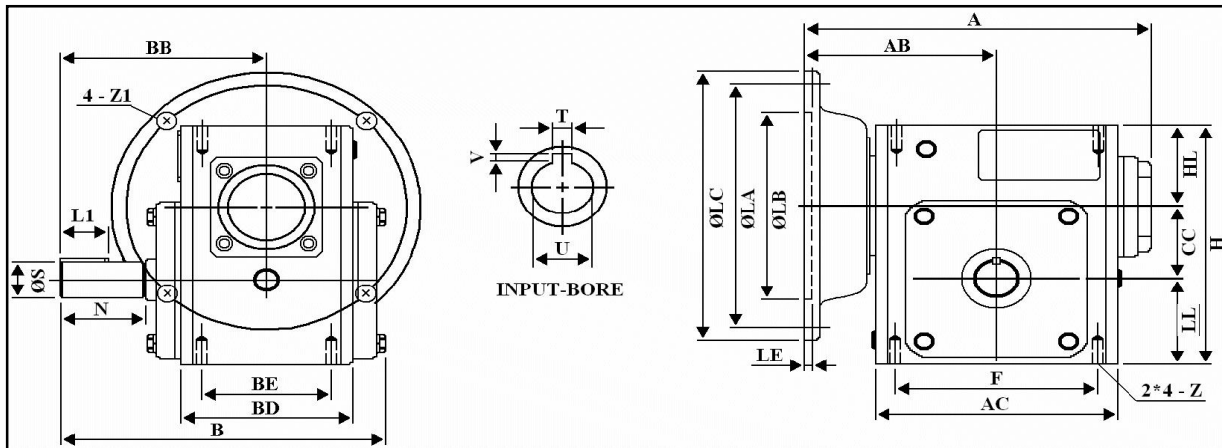
- Bronze Worm Gear
- Hardened and Ground Worm
- Cast Iron Housing, Precision Machined for Accurate Shaft Alignment
- Ball Bearings on Input Shaft
- Tapered Roller Bearings on Output Shaft
- Heat Treated Input and Output Shafts
- Mounting bases available upon request



Output Options:

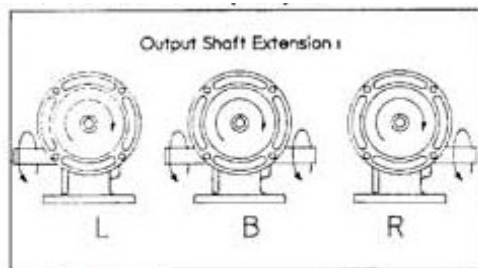
- Available with 3 Shaft Extensions - L, B, R

Dimensions and Ratings



Size	A	AB	AC	B	BB	BD	BE	CC	F	H	HL	LL	N	Z
325	11.42	6.063	9.016	11.014	7.059	5.748	4	3.25	7.5	9.375	2.625	3.5	3.25	7/16-14 UNC

Size	Input Bore		Output Shaft			Flange					NEMA Frame	OIL (oz.)
	U	T x V	L1	S	W x Y	LA	LB	LC	LE	Z1		
325	0.625	3/16 x 3/32	2.438	1.375	5/16 x 5/32	5.875	4.5	6.496	0.157	0.433	56C	73.75



To order indicate Model, Output Shaft Extension and Ratio, as shown below

T325M-HS **-L** **-40**

Model Output Shaft Extension (L,B, or R) Ratio



Toledo Gearmotor

419/885-3769 • Fax 419/885-3799 • www.toledogear.com