

RIGHT ANGLE REDUCERS/DC Motor Frame

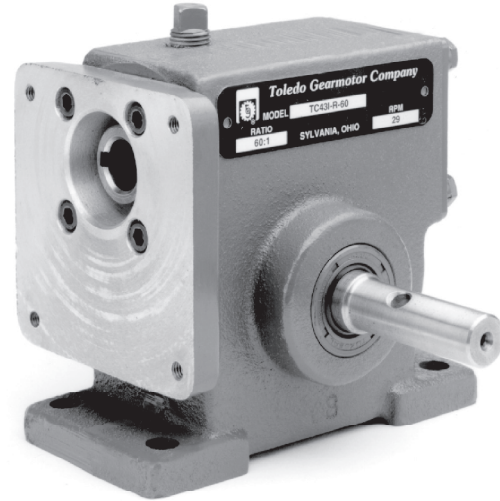
TC-43 I

TC Style Structural & Design Features:

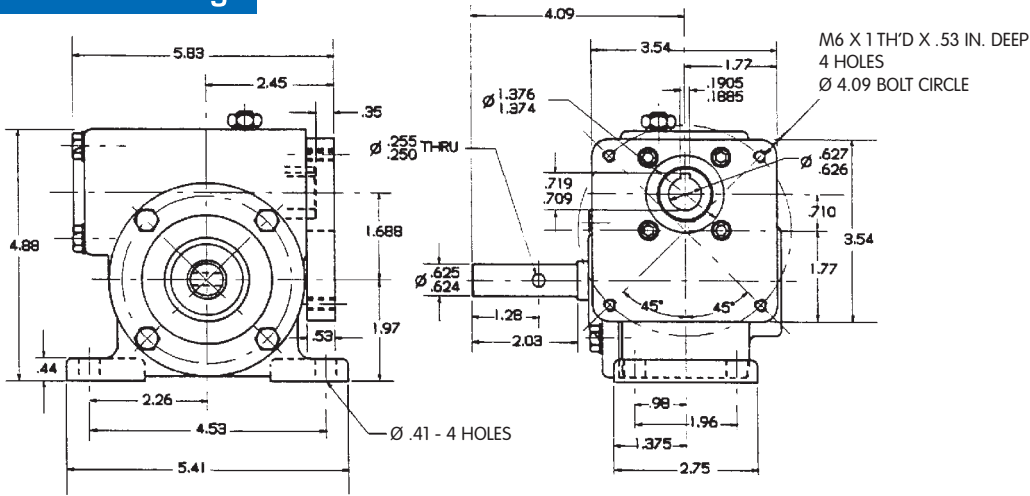
- Right Angle Worm-Gear Reducer
- Bronze Worm-Gear
- Induction Hardened, Ground and Polished Worm
- Annealed Cast Iron Housing, Precision Machined for Accurate Shaft Alignment
- Ball Bearings on Input Shaft
- Tapered Roller Bearings on Output Shaft
- High-Strength, Heat Treated Input and Output Shafts
- Flange for Face-Mounting DC Frame Motor

Output Options:

- Available with 3 Shaft Extensions - L, B, R

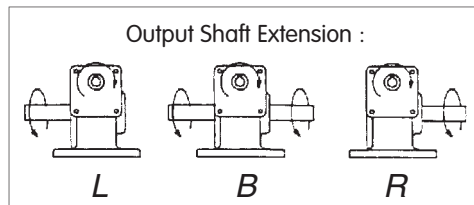


Dimensions and Ratings

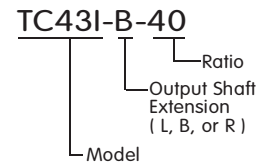


| RATIO | 5.5 | 10 | 14.5 | 20 | 30 | 40 | 61 |
|----------------------|------|-------|--------|-------|------|-------|-------|
| OUTPUT SPEED, RPM | 314 | 172.5 | 118.97 | 86.25 | 57.5 | 43.12 | 28.28 |
| HP IN | 1.31 | 1.14 | 0.90 | 0.69 | 0.47 | 0.42 | 0.27 |
| HP OUT | 1.19 | 1.00 | 0.75 | 0.54 | 0.33 | 0.27 | 0.14 |
| TORQUE OUT, IN.-LBS. | 239 | 367 | 401 | 401 | 367 | 399 | 332 |

Overhung Load on Output Shaft, 400 lbs. at 1.00 in. from Housing or Output Cap
 All data is for a Service Factor of 1 at 1725 RPM input speed



To order indicate Model, Output Shaft Extension and Ratio, as shown below



Toledo Gearmotor

A Bluffton Motor Works Company

5439 Roan Rd. • Sylvania, Ohio 43560

419/885-3769 • Fax 419/885-3799 • www.toledogear.com